

# ARE YOUR DECKPLATES THIS WATERTIGHT?

*Armstrong Deckplates Completely Seal Against Water Intrusion.*

**PROTECT YOUR BOAT, YOUR EQUIPMENT AND YOUR REPUTATION WITH AN ARMSTRONG WATERTIGHT DECKPLATE!**



**Behind Bulkheads**



**Radar Arches**



**Wireways**



**Motor Wells**

## SLASH COSTS!

- No trim ring to install
- No fasteners
- No sealant or caulking
- No clean-up
- No lost, broken or dirty parts
- Easy installation
- Tool-free operation

**Colors:  
Black, Cream  
or White**

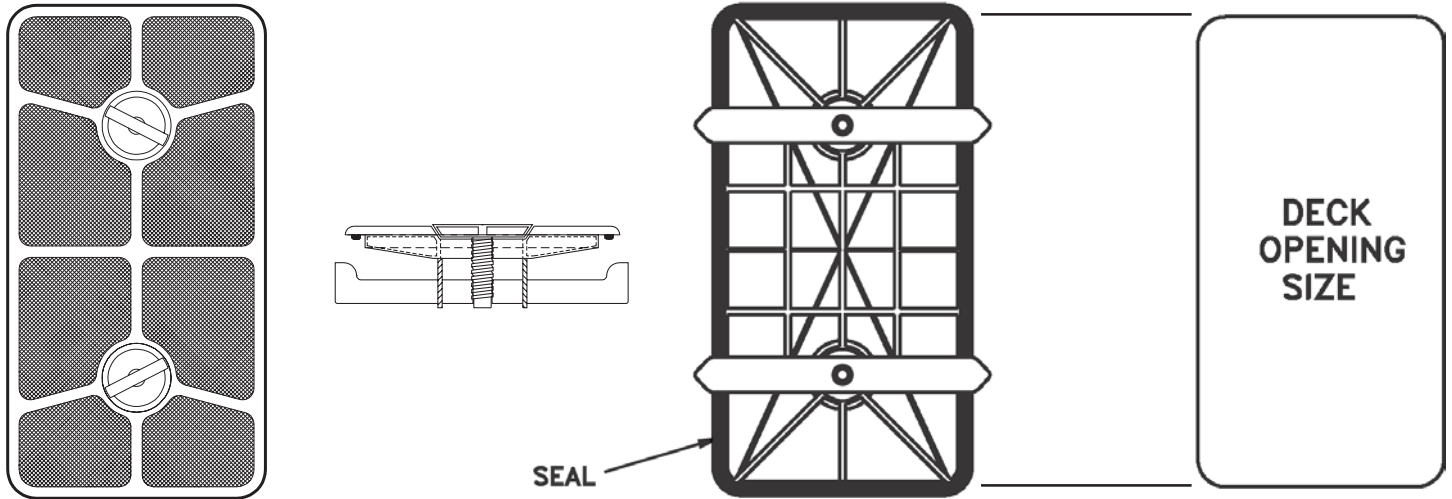
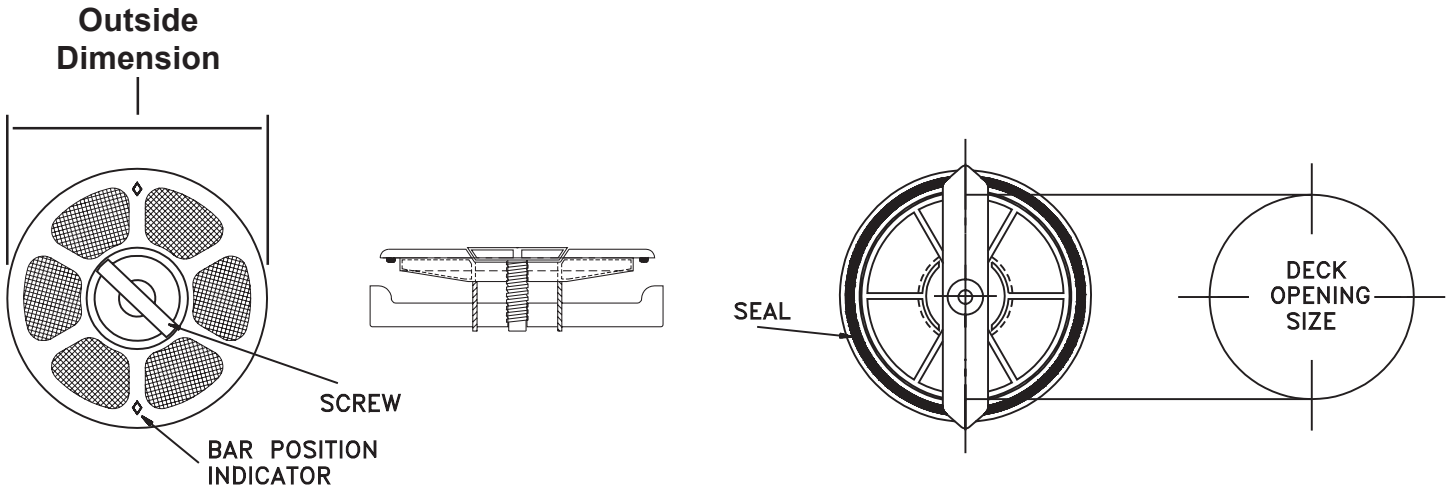


3140 S. E. Dominica Terrace  
Stuart, FL 34997  
[www.armstrongnautical.com](http://www.armstrongnautical.com)



**Made in  
the USA**

# Deckplate Assembly View and Dimensions



**Deckplate Assembly View and Dimensions**

Model	Outside Dimension	Deck Opening Size
DP-6	8 Inches	6.75 Inches
DP-8	10 Inches	8.75 Inches
DP-10	12 Inches	10.75 Inches
DP-10x20	11.25 x 21.25 Inches	10 x 20 Inches with radius corners

**Watertight Seal Technical Data**

Oil Resistance	Fuel Resistance	Weather Aging	Oxidation	Heat Aging	Water Swell Resistance	Flame Resistance
F/G	F/G	X/G	X	X/G	X/G	P/G

X = Excellent G = Good F = Fair P = Poor

**Deckplate Structural Material**

Mechanical	Property	ATSM Test Method	Values	Units
	Tensile Strength	D638	3,000 (21)	psi (MPa)
Flex Modulus	D790	200,000 (1,379)	psi (MPa)	
Izod Impact	D256	1.7 (91)	ft-lbs/in (J/m)	
Weatherability	Accelerated Interior Weathering	SAE J1885	Delta E < 3.0	n/a



3140 S. E. Dominica Terrace  
Stuart, FL 34997

[www.armstrongnautical.com](http://www.armstrongnautical.com)

(800) 226-7204 • (772) 286-7204  
FAX (772) 288-1339